



STONE
ENTERPRISES, INC.

877-653-0500

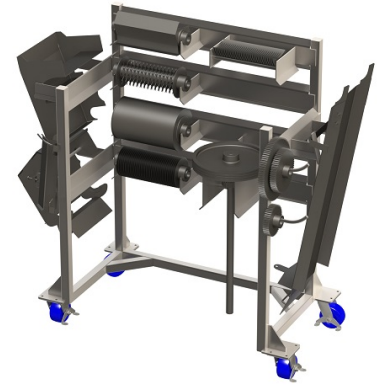
www.STONEENT.net

SPECIALITY EQUIPMENT

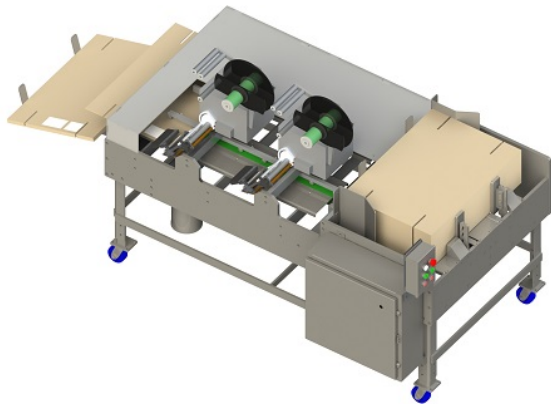
Parts washing & Storage Rack

Features and benefits:

- Built for a variety of machines including the Urschel Dicer and V-Mag.
- Keeps parts secure while washing.
- Mobility for easy part movement.
- Stores parts until needed.
- Designed for easy cleanup and maintenance.



*Stone Enterprises Inc. is in no way associated with Urschel Laboratories Inc. or V-mag.



Flat Box Label Applicator

Features and benefits:

- High speed application rate, exceptional label placement accuracy.
- Easy maintenance, labels over 30 pieces per minute.
- Single and multiple application design available and custom built to all your specifications.

Foam Tray Denester

Features and benefits:

- Efficiently separates trays and transfers them to your production line.
- Portable and low maintenance.
- Can be built for many different sizes of trays.

Construction: Standard features on our specialty equipment to include TIG welded stainless steel framework, adjustable legs and commercial casters.



ALL PRODUCTS AND SERVICES CARRY A 100% SATISFACTION GUARANTEE FOR QUALITY, DURABILITY AND RELIABILITY.

TO ORDER, CALL (877) 653-0500

PROUDLY MADE IN AMERICA AND SHIPPED FROM THE HEART OF THE MIDWEST

10011 'J' Street Omaha, NE 68127 Phone: (402)502-8100 Fax: (402)502-8102

www.STONEENT.net