

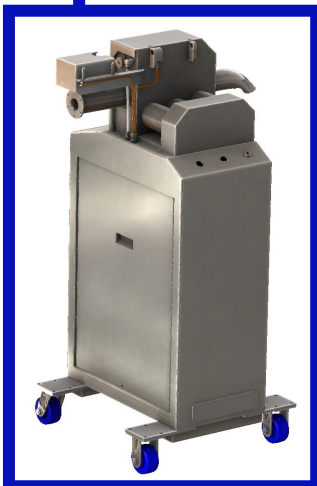
*Manufacturer of Full Custom Machines, Quality Replacement Parts & Industrial Products for the Processing Industry*



**STONE**  
ENTERPRISES, INC.

**877-653-0500**  
**www.STONEENT.net**

## **HOT DOG PEELER**



Product change-overs can be done in less than a minute with no tools required.

**REDUCE DOWNTIME** for maintenance with Stone's simple open design giving you access to everything in seconds.

Easy to Clean - open design to easily clean for much lower bacteria counts.

High Capacity

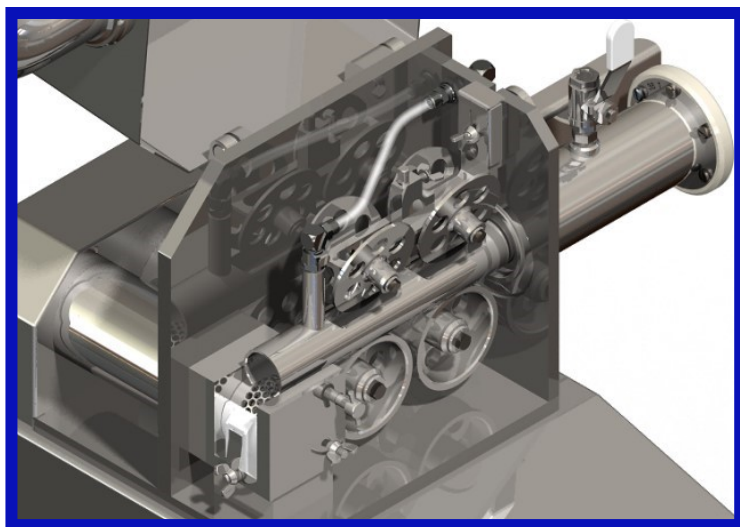
No Product Damage

***The Largest Inventory in the Midwest for Quality and Fast service.***

Product sensor for reduced steam & air usage.

Can be paired with vacuum cabinet and catch table for stand-alone operations.

Produced and constructed from 300 series stainless steel with [AMI's Sanitation Equipment Design Principles](#) and ease of cleaning in mind.



**ALL PRODUCTS AND SERVICES CARRY A 100% SATISFACTION GUARANTEE FOR QUALITY, DURABILITY AND RELIABILITY.**

**TO ORDER, CALL (877) 653-0500**

**PROUDLY MADE IN AMERICA AND SHIPPED FROM THE HEART OF THE MIDWEST**

10011 'J' Street Omaha, NE 68127 Phone: (402)502-8100 Fax: (402)502-8102

**www.STONEENT.net**