

Manufacturer of Full Custom Machines, Quality Replacement Parts & Industrial Products for the Processing Industry



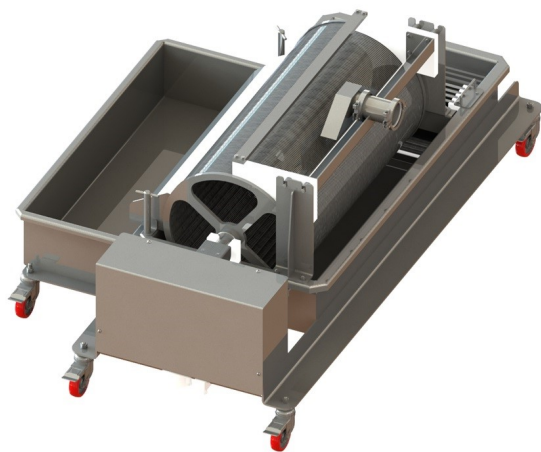
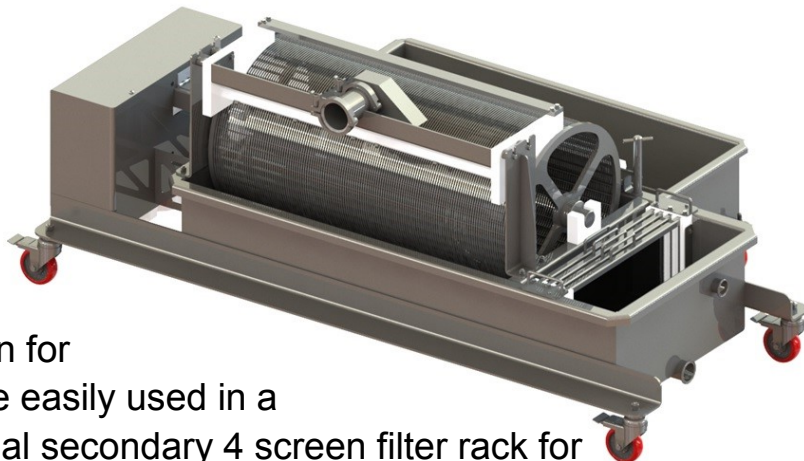
STONE
ENTERPRISES, INC.

877-653-0500

www.STONEENT.net

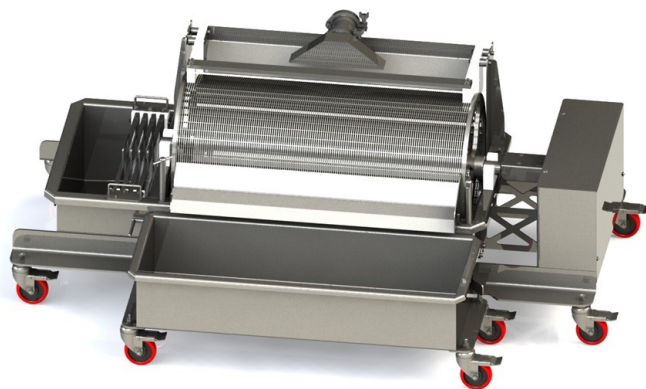
ROTARY SCREEN FILTER

Stone's Roto Screen is designed to remove particulates in brine, water, or grease. It provides an economical solution for filtering particles down to .005" and can be easily used in a variety of applications. Includes an optional secondary 4 screen filter rack for even finer filtration. Low-profile design and screen sizes to fit all applications.



Custom built to all your specifications. Produced and constructed with [AMI's Sanitation Equipment Design Principles](#) and ease of cleaning in mind from 300 series stainless steel.

All of our equipment is manufactured and designed with production needs, endurance, sanitation, and ease of maintenance in mind.



ALL PRODUCTS AND SERVICES CARRY A 100% SATISFACTION GUARANTEE FOR QUALITY, DURABILITY AND RELIABILITY.

TO ORDER, CALL (877) 653-0500

PROUDLY MADE IN AMERICA AND SHIPPED FROM THE HEART OF THE MIDWEST

10011 'J' Street Omaha, NE 68127 Phone: (402)502-8100 Fax: (402)502-8102

www.STONEENT.net